

P2C

Serie200



Sistema POS touch sottile ed elegante con base in metallo

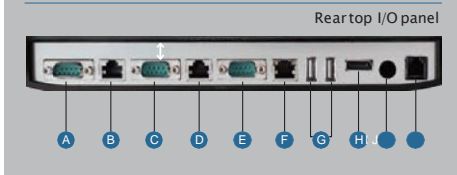
Un POS all in one con schermo LED touch da 15 pollici, facilmente utilizzabile come POS (in orizzontale) e come chiosco (in verticale) e viceversa.



Diverse ports for additional devices



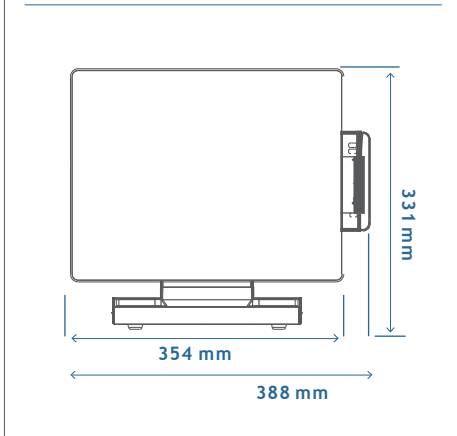
Enough spaced I/O panel design which is considering cable connection convenience



I/O Ports

- A** Serial (COM1) **D** Serial (RJ50) **G** USB x 2
- B** Serial (RJ50) **E** Serial (COM3) **H** DisplayPort
- C** Serial (COM2) **F** LAN **I** Power
- J** Serial (COM6/RJ11)

200 Series Dimensions



Specifiche

J-200	
System	
Processor	Intel® Celeron® Quad-core Processor J1900 2.0GH
Chipset / BIOS	Intel® Baytrail SoC /AMI
Storage	2.5" SSD 64GB (HDD 500GB, optional)
Memory	4GB, DDR4 2133MHz x 2 slot (Max. 32GB, optional)
Graphics	Intel HD Graphics 520
Multi Display	3 (# of Displays Supported)
RAID	
Expansion Slot	1 x miniPCI-e
OS	POSReady 7, Windows 10 IoT Enterprise
Display	
Display Type	15" WLED Backlight (1024 x 768 Resolution)
Touch	True-Flat Capacitive 10 Point Multi-touch
I/O Interfaces	
Rear Top & Bottom Ports	
USB	6 (Rear Top: 2, Rear Bottom: 4)
Serial	6 (RS232 x3, RJ50 x2, RJ11 x1) COM1,3: DB9(+5V on pin #9, selectable by BIOS), COM5: D-sub 9 pin(no power delivery) COM2,4: RJ50 (+5V and +12V for special devices) COM6: RJ11 (USB 2.0 and RS232 with +5V/1A for card reader)
Parallel	1 (LPT /DB25 on Rear Bottom)
Audio	1 x Audio-out /3.5mm (changeable for MIC)
Display	1 x DisplayPort (included 2 x USB 2.0 /Power Delivery +12V)
LAN	1 x RJ45 (Base-T 10/100/1000 Ethernet)
Peripheral Options	
2nd Display	Display Type : 10" or 15" LCD (1024 x 768 Resolution) Touch Display Type : 10" or 15" LCD with Capacitive Touch (USB Port x 1) <small>*P2C Smart Multi Display Functions: Single DP cable(+12V/1.5A), Hot Plug & DP+-(HDMI and DVI by passive cable) Supports Standard Monitor(HDMI,DVI), up to 4K resolution</small>
Customer Display (CDP)	VFD Type (Alphabet & Numeric, 20 characters x2 lines)
Card Reader (MSR / SCR / Dallas)	Magnetic Stripe Reader: ISO 7811 ID-1 All tracks, Smart Card Reader: ISO/IEC7816 EMV Level 1 Dallas Reader(i-button): 6 characters /prefix and suffix, Interface: USB(HID) and RS232C(COM6)
Cash Drawer	External Cash Drawer Dongle (EPSON compatible)
2nd Storage	-
Physical Dimension	
Dimension(W x D x H) & Weight	354 x 235.4 x 331(mm) & 5.3 (Kg) /13.9 x 9.3 x 13 (inches) & 11.7 (lb)
Environment	
Power Supply	Adaptor DC 12V/5A (AC 100V~240V, 60W)
Temperature	Operating: 0 ~ 50°C at 10% to 90% humidity
Certifications	CE, FCC, CB, KC



Card Reader (MSR/SCR)



Customer Display (CDP)



10" or 15" 2nd Display

v003 EN(201810)